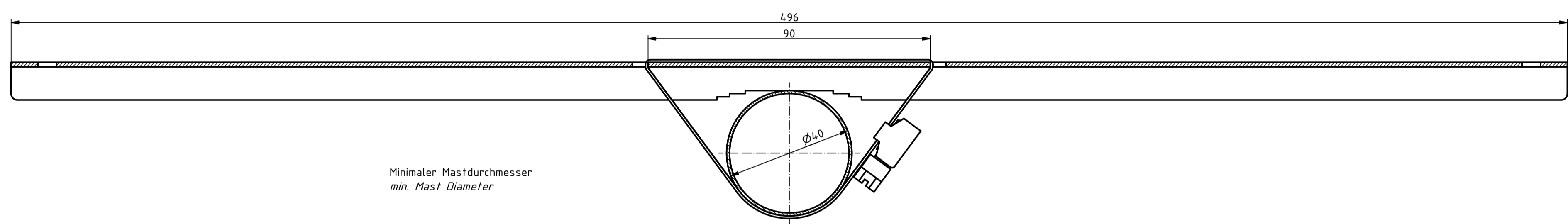
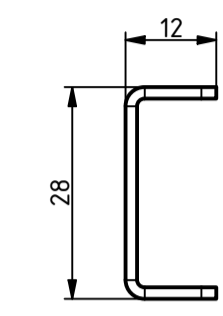
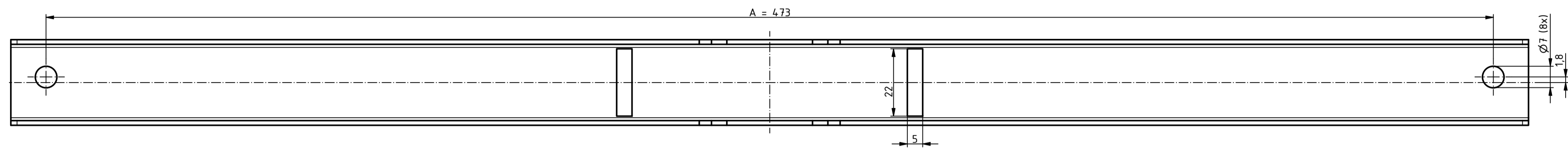
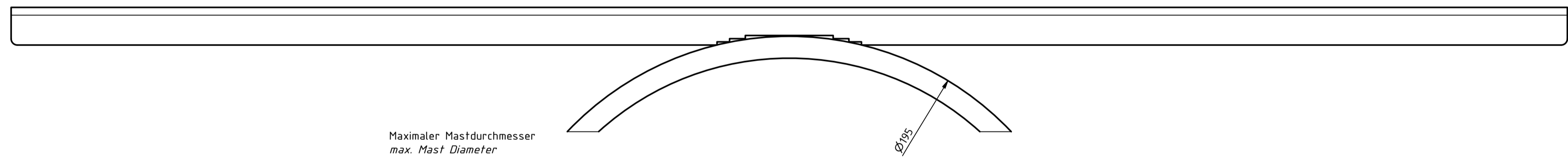


Anschraubposition / Screw-on position

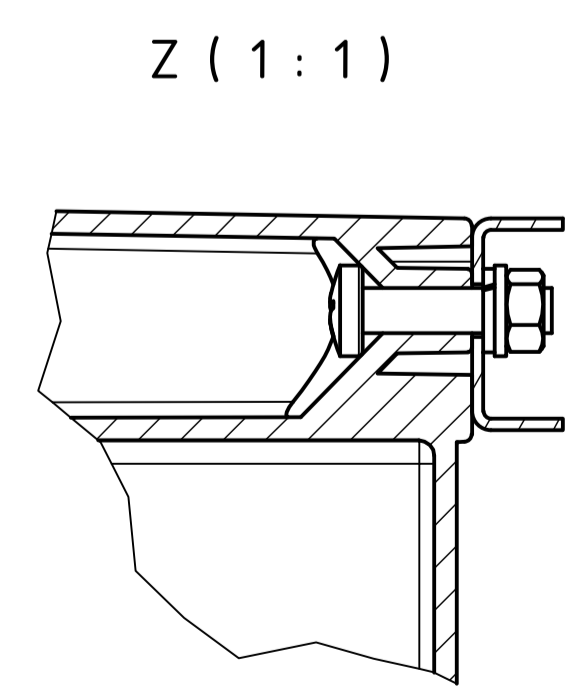
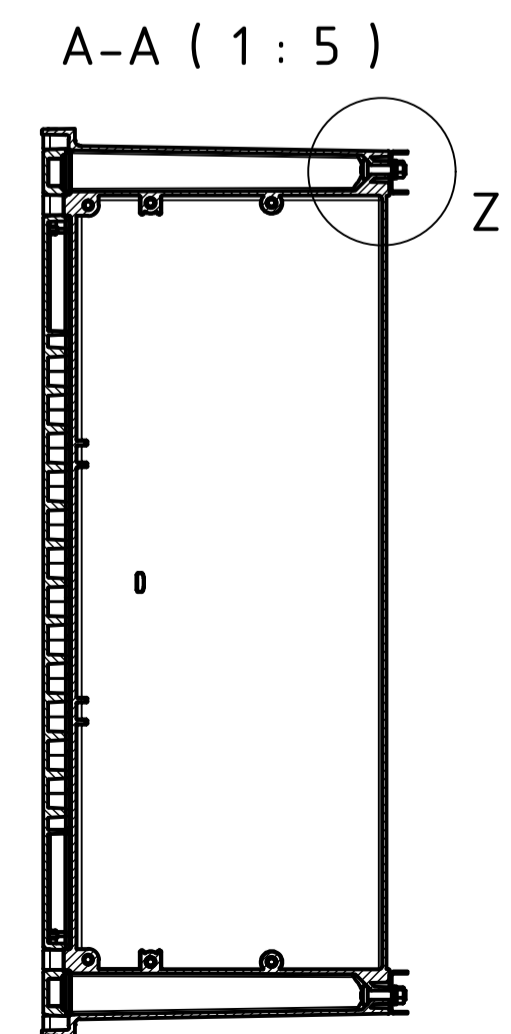
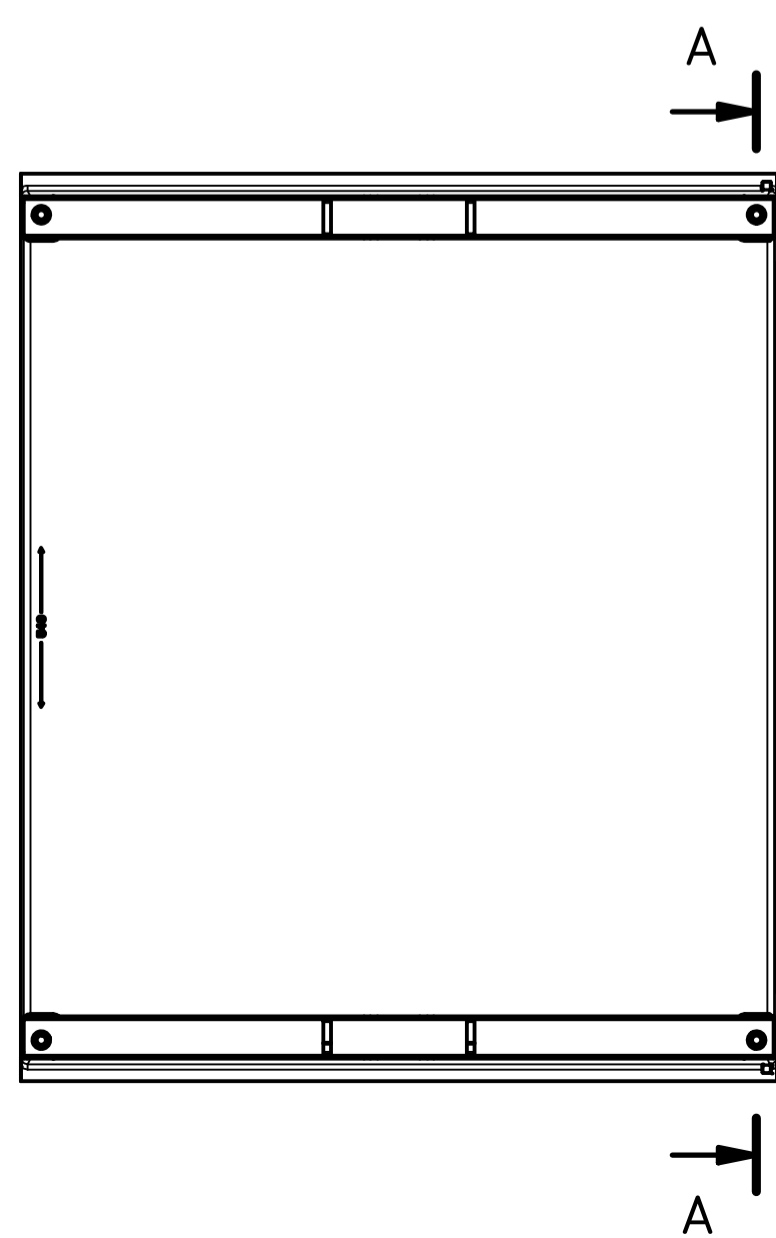
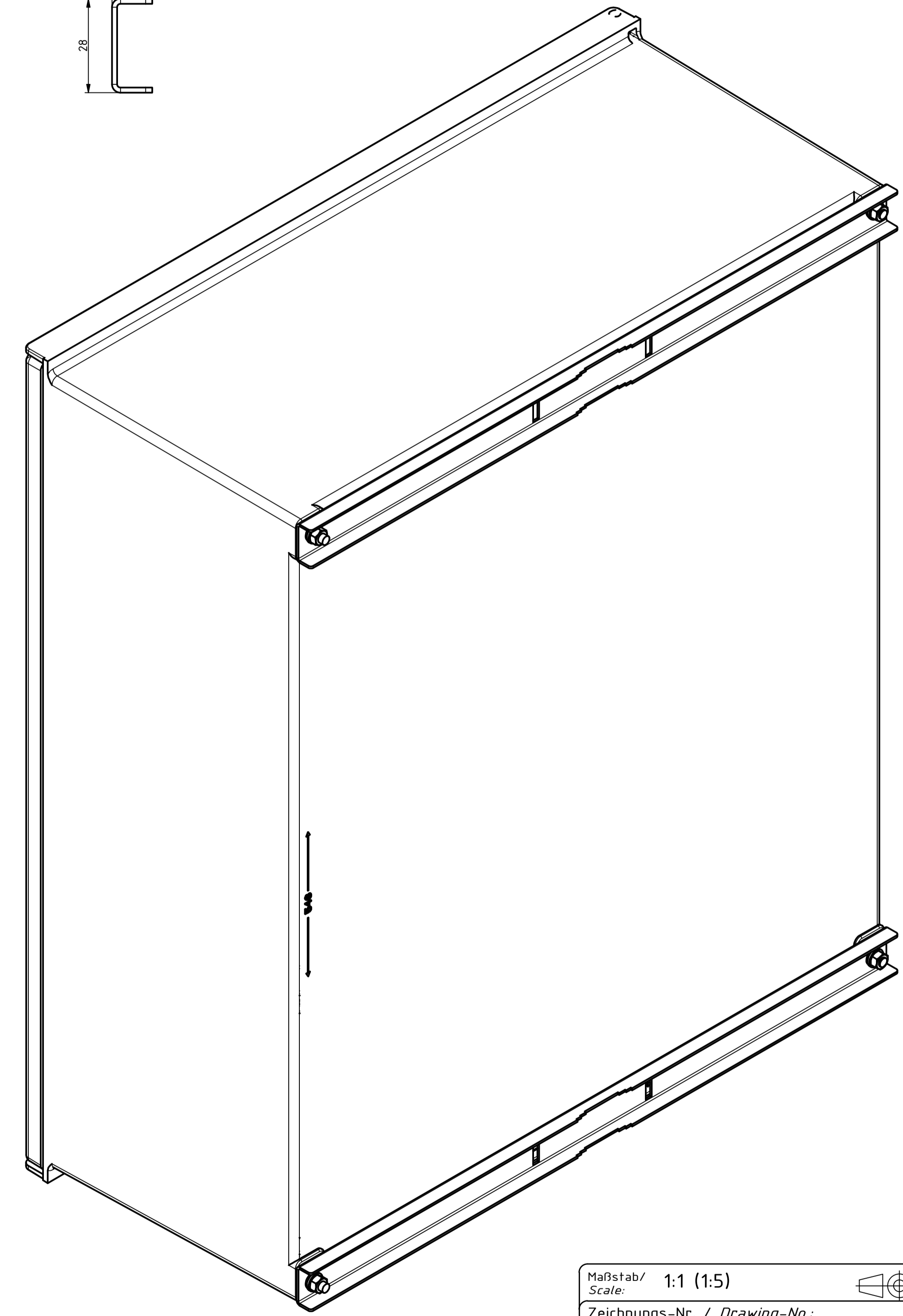
Model / model	Bohrabstand / drilling distance
PS 652/-T	A



Minimaler Mastdurchmesser
min. Mast Diameter



Maximaler Mastdurchmesser
max. Mast Diameter



Befestigungsauswahl / Fixing selection

Mastdurchmesser / Mast diameter	Befestigungsschelle / Fixing clamp
40mm - 70mm	MH S 70-90
70mm - 95mm	MH S 90-110
95mm - 115mm	MH S 110-130
115mm - 135mm	MH S 130-150
135mm - 155mm	MH S 150-170
155mm - 175mm	MH S 170-190
175mm - 195mm	MH S 190-210

Maßstab / Scale: 1:1 (1:5)

Zeichnungs-Nr. / Drawing-No.: 1K 5460.058.01

Artikel / Article: Polysafe PS MH-050

Katalogzg./Catalogue draw.

A.Nr. / Art.No.	Datum / Date:
	24.04.2021

DISK: 24.04.522.idw
Datum/Date: 28.04.2021 AH

"Schutzvermerk nach DIN ISO 16016 beachten" - "Please pay attention to copyright note DIN ISO 16016"