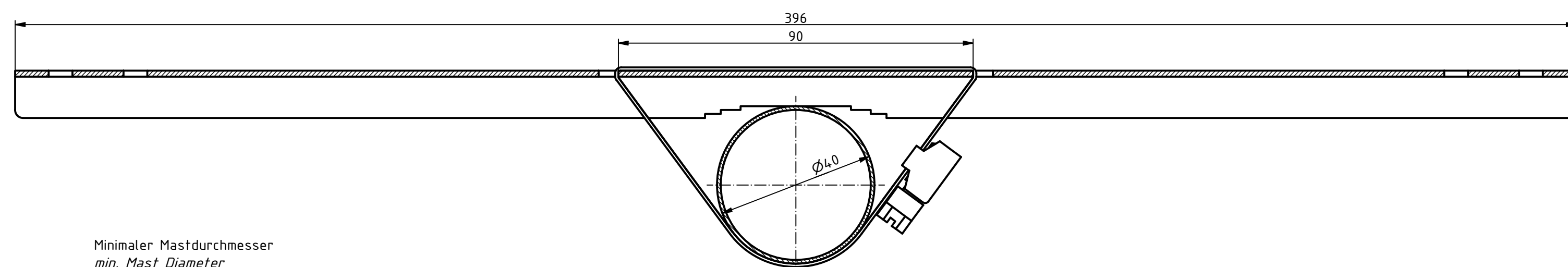
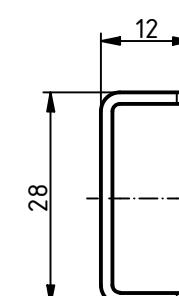
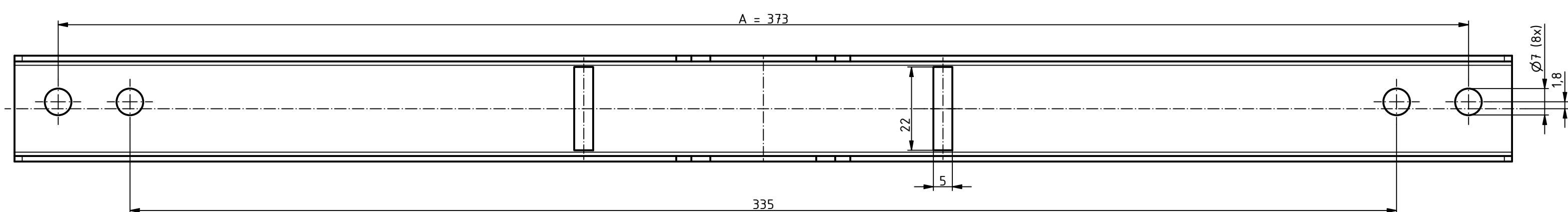
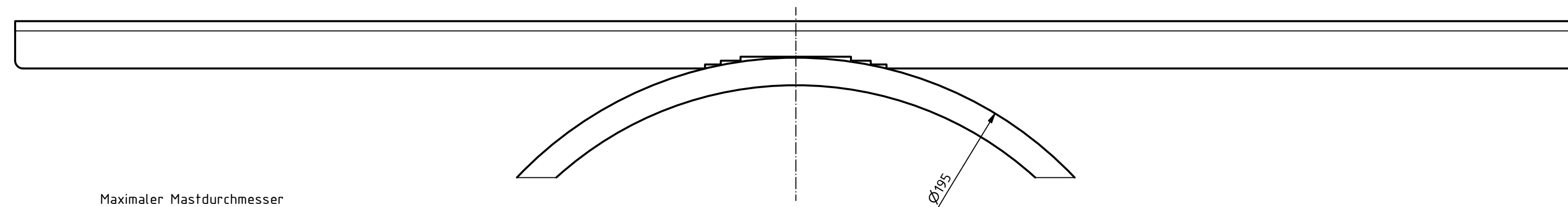


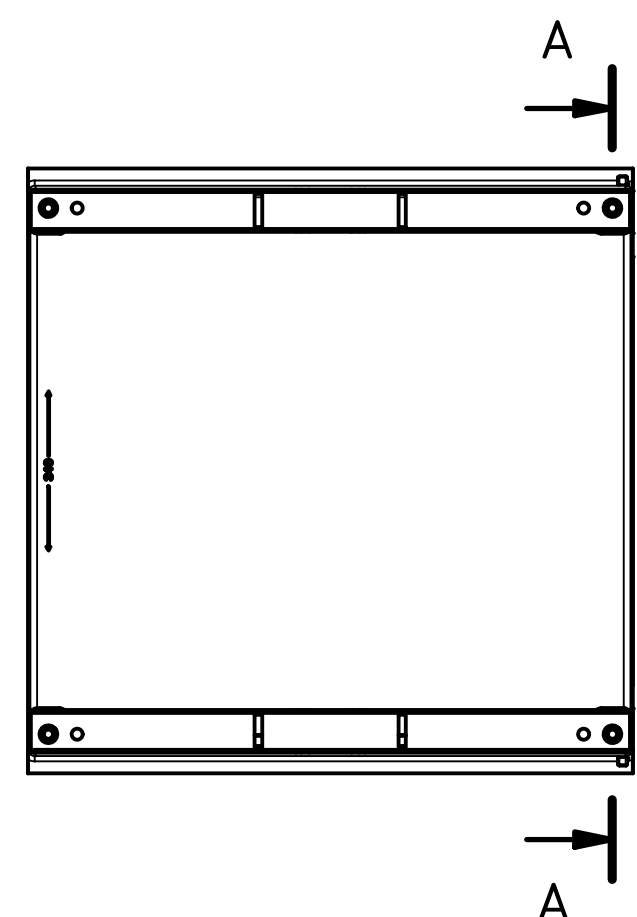
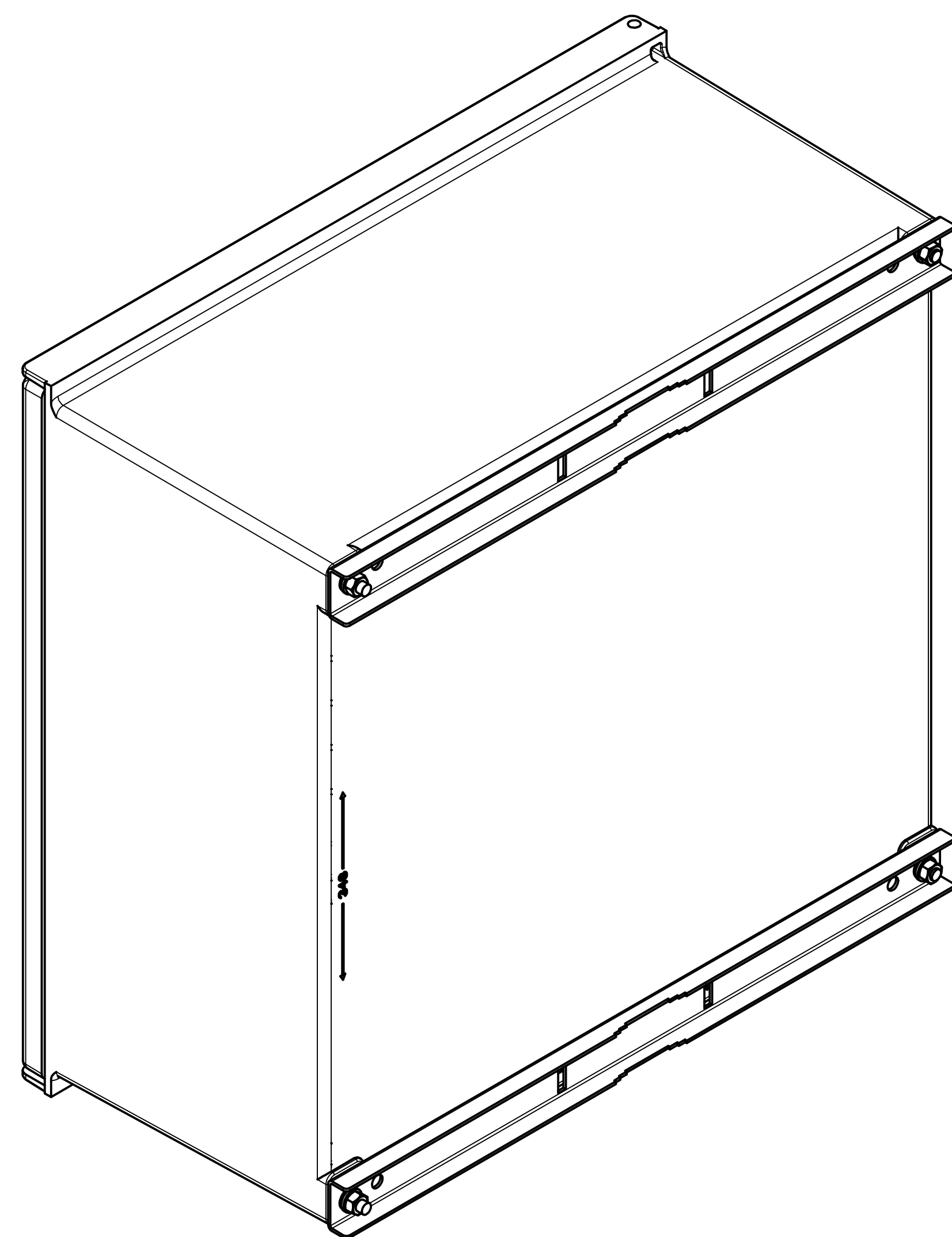
Anschraubposition / Screw-on position	
Model / model	Bohrabstand / drilling distance
PS 442/-T	A
PS 542/-T	
PS 642/-T	



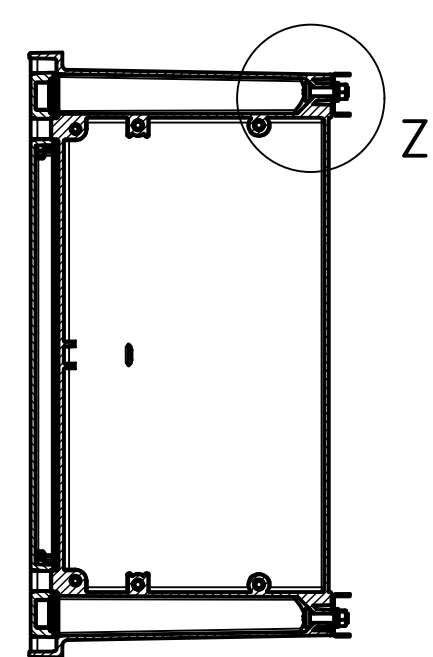
Minimale Mastdurchmesser
min. Mast Diameter



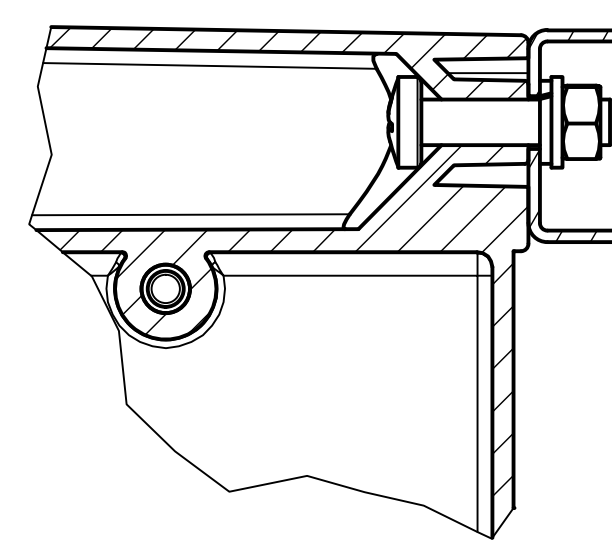
Maximaler Mastdurchmesser
max. Mast Diameter



A-A (1 : 5)



Z (1 : 1)



Befestigungsauswahl / Fixing selection	
Mastdurchmesser / Mast diameter	Befestigungsschelle / Fixing clamp
40mm - 70mm	MH S 70-90
70mm - 95mm	MH S 90-110
95mm - 115mm	MH S 110-130
115mm - 135mm	MH S 130-150
135mm - 155mm	MH S 150-170
155mm - 175mm	MH S 170-190
175mm - 195mm	MH S 190-210

Maßstab / Scale:	1:1 (1:5)
Zeichnungs-Nr. / Drawing-No.:	1K 5460.057.01
Artikel / Article:	Polysafe PS MH-040
Katalogzg./Catalogue draw.	
A.Nr. / Art.No.:	
Datum / Date:	28.04.2021 AH



"Schutzvermerk nach DIN ISO 16016 beachten" - "Please pay attention to copyright note DIN ISO 16016"