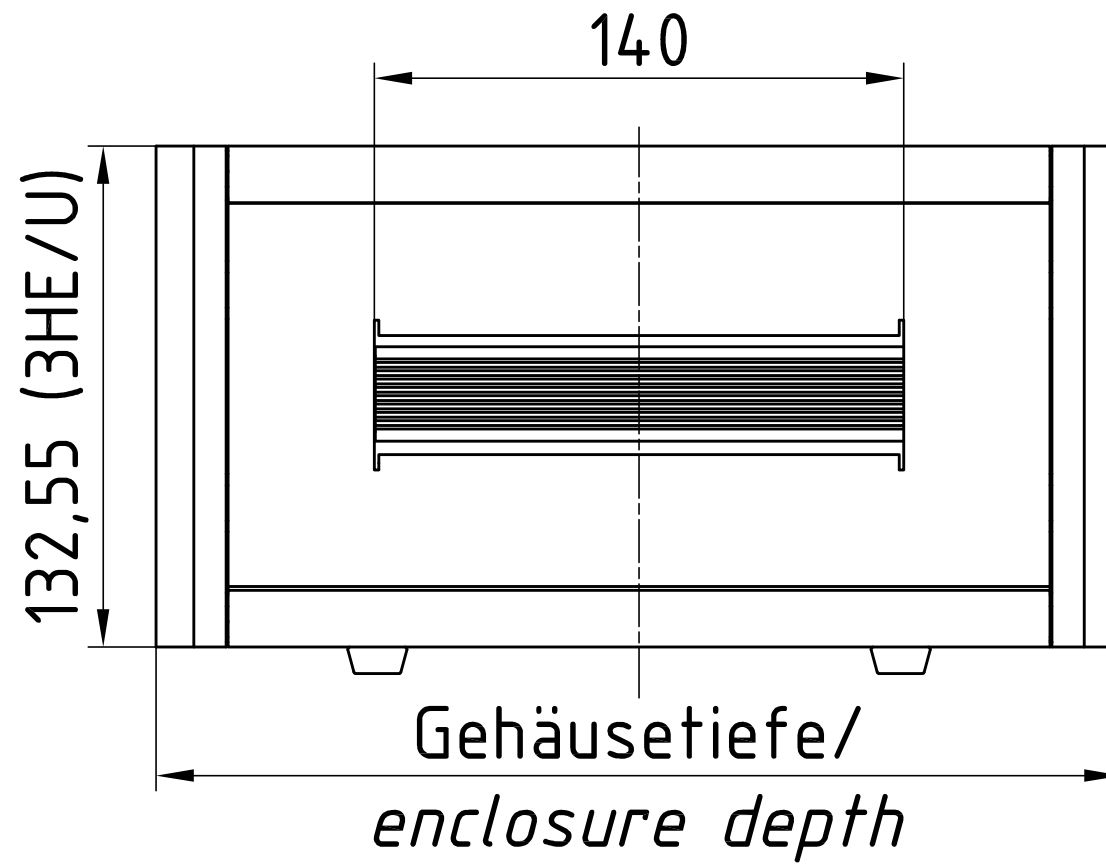


"Schutzvermerk nach DIN ISO 16016 beachten" "Please pay attention to copyright note DIN ISO 16016"



Flachbandgriff/ <i>Strap handles</i>	
Modell/model	Gehäusetiefe/ <i>enclosure depth</i>
FBGR/INS 24300	255
FBGR/INS 30300	315
FBGR/INS 36300	375
FBGR/INS 42300	435
FBGR/INS 48300	495

Maßstab/ <i>Scale:</i> 1:2		
Zeichnungs-Nr. / <i>Drawing-No.:</i> 3K 5330.0019.01		
Artikel / <i>Article:</i> Flachbandgriff/ <i>Strap handles</i> Katalogzeichnung / <i>Catalogue drawing</i>		
-	-	 <b>BOPLA</b> <small>A Phoenix Mecano Company</small>
-	-	
-	-	
-	-	
-	-	
-	-	
-	-	
-	-	
-	-	
-	-	
Ä.Nr/ <i>Alt-No.:</i>	Datum/ <i>Date:</i>	
DISK: 2 902 907		
Datum/Date: 16.01.2008 OK		