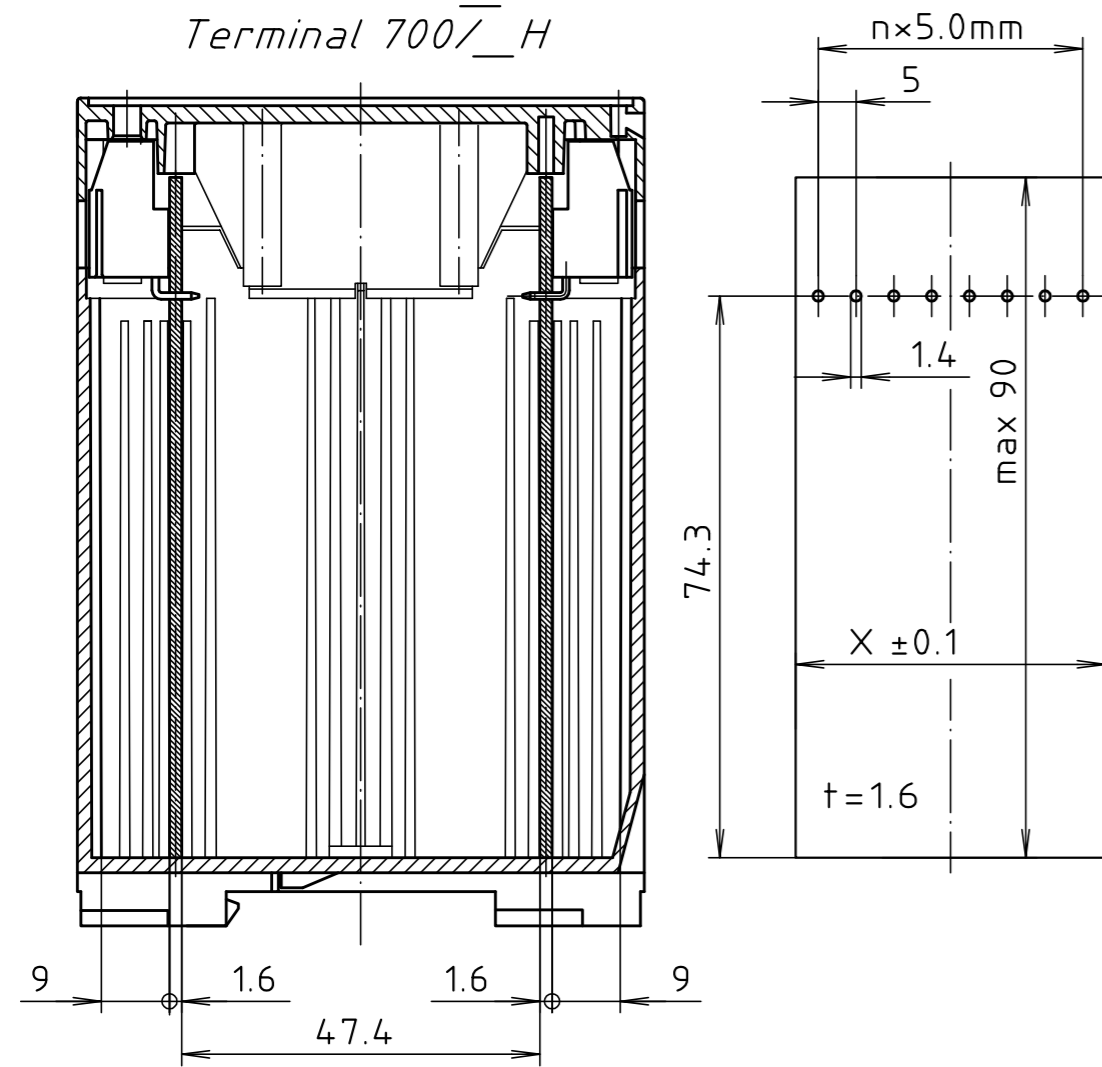
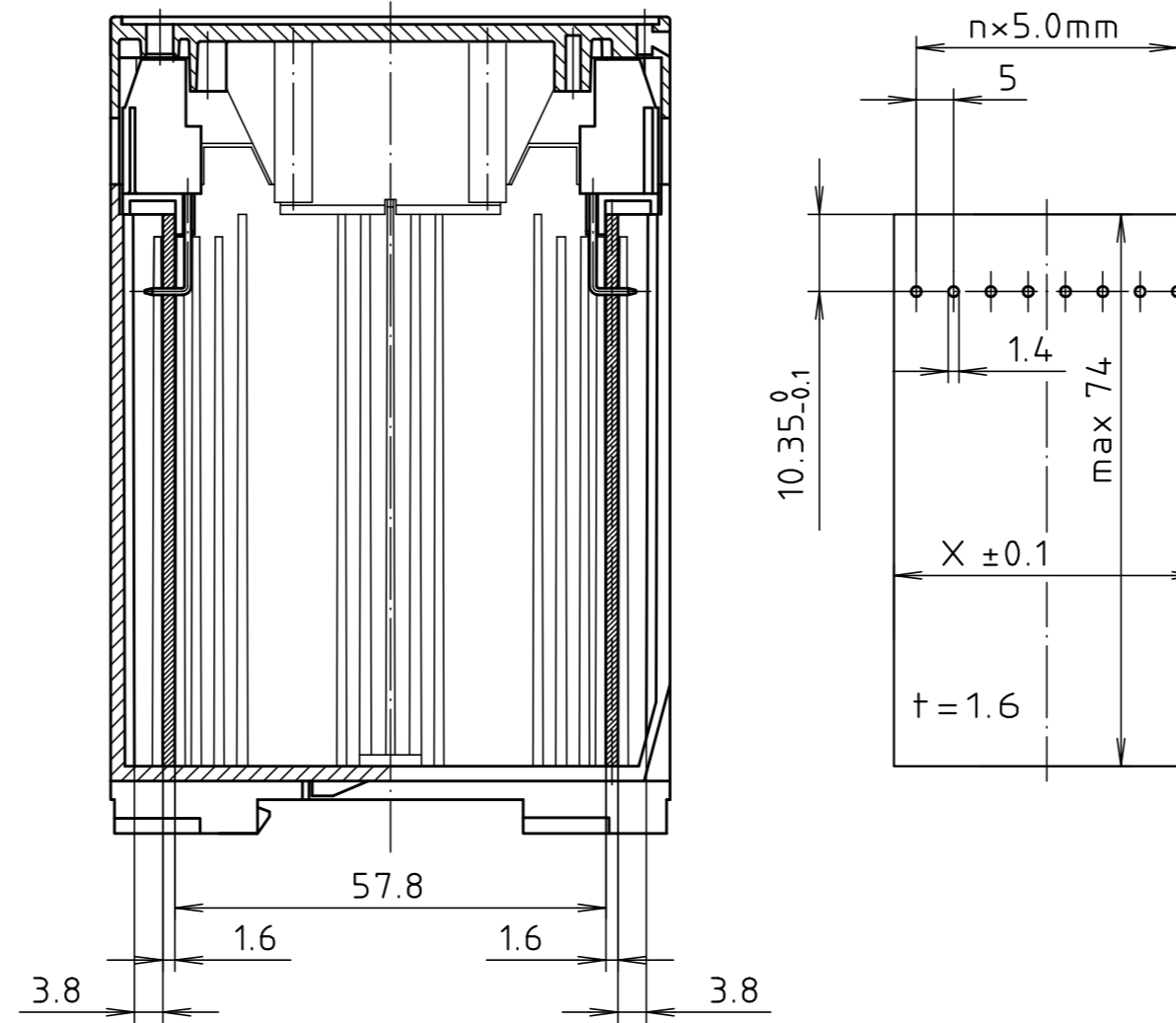


Klemme 700/_H/
Terminal 700/_H



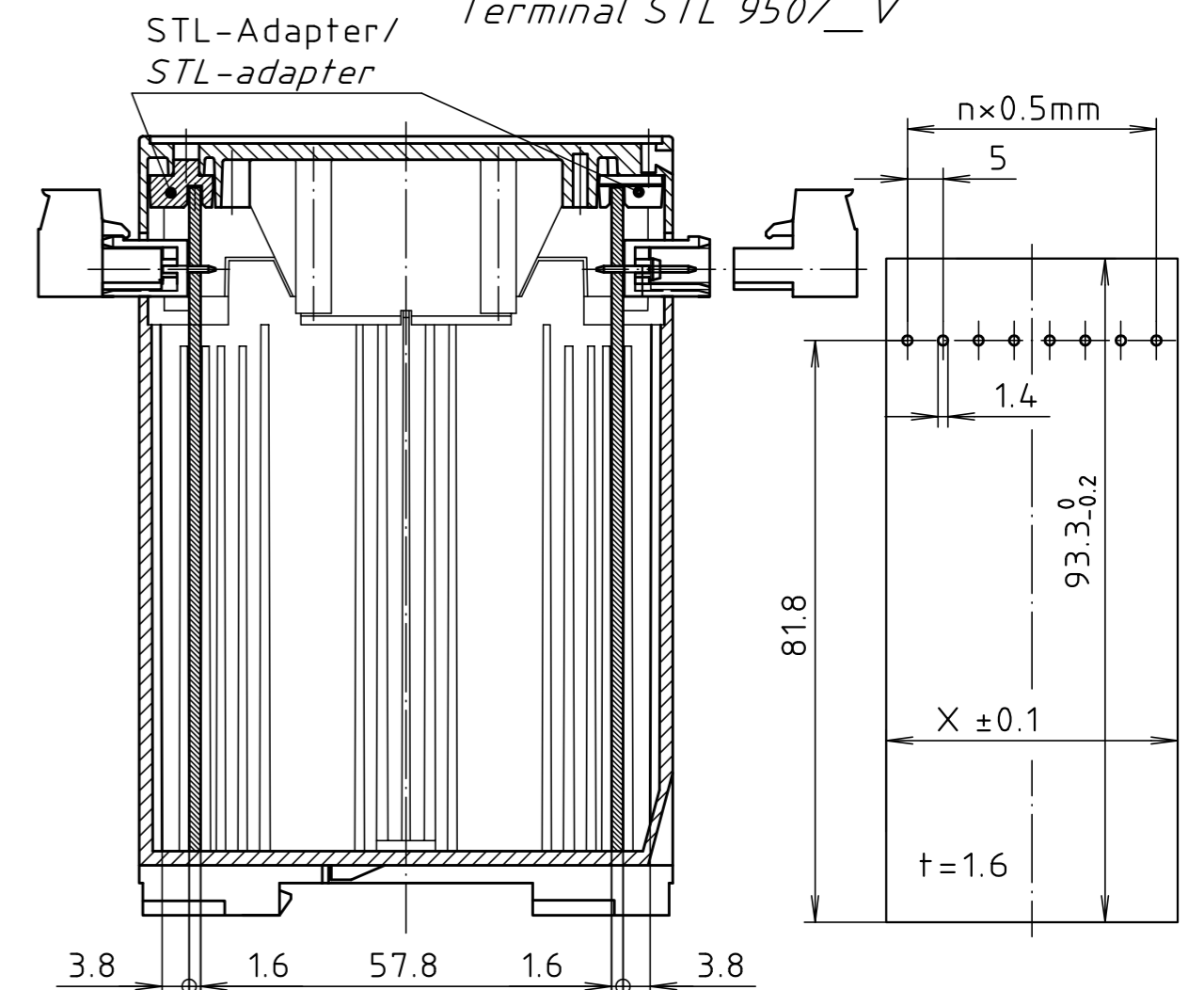
| Modell/model | X | n |
|--------------|------|----|
| CN 22 AK/H | 18.5 | 3 |
| CN 45 AK/H | 41 | 7 |
| CN 55 AK/H | 51 | 9 |
| CN 70 AK/H | 66 | 12 |
| CN 100 AK/H | 96 | 18 |

Klemme AK 700/_HB/
Terminal AK 700/_HB



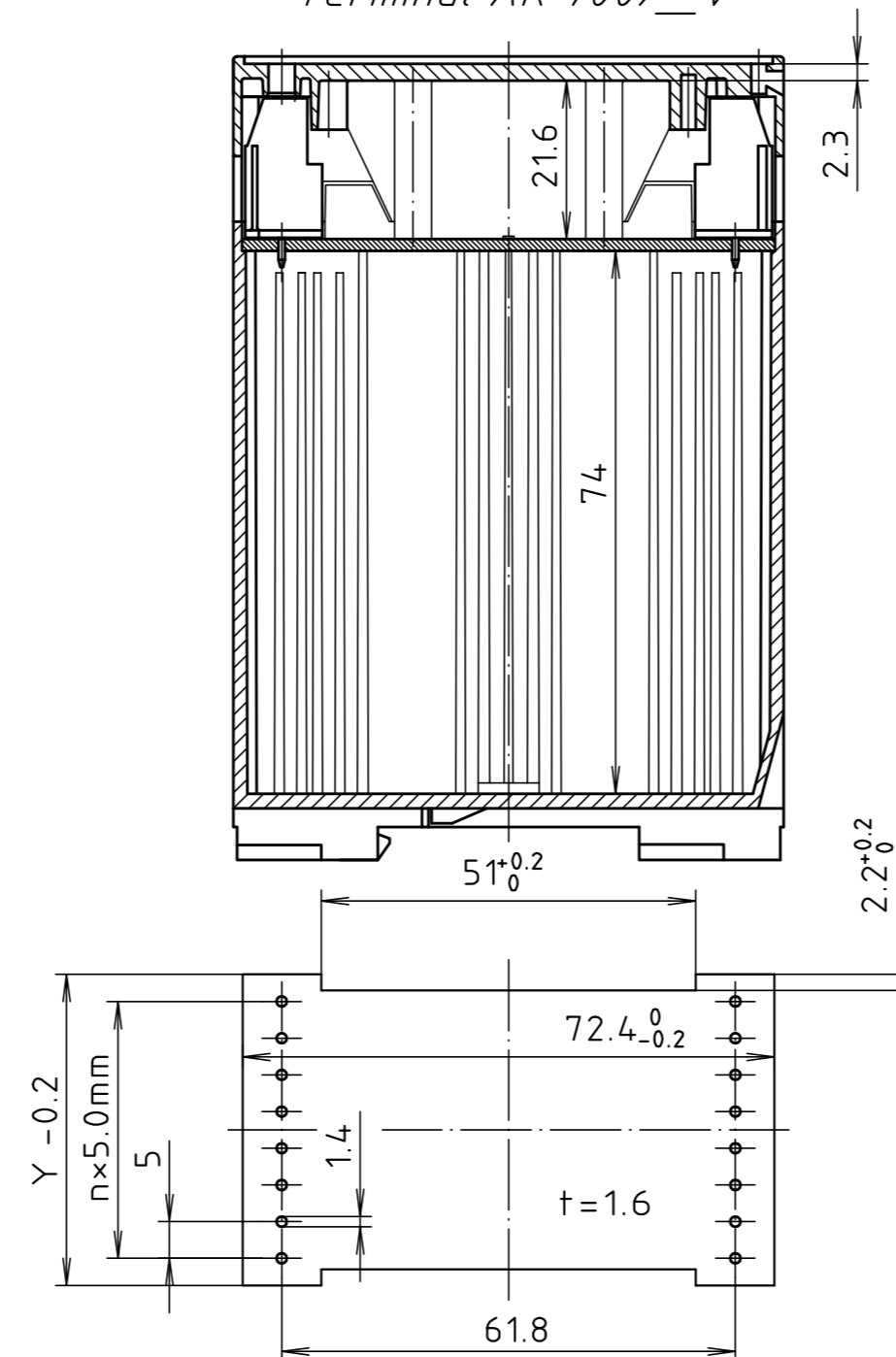
| Modell/model | für Gehäuse/ for enclosure | X | n |
|--------------|-------------------------------|----|----|
| AK 700/8 HB | CN 45 AK | 41 | 7 |
| AK 700/10 HB | CN 55 AK | 51 | 9 |
| AK 700/13 HB | CN 70 AK | 66 | 12 |
| AK 700/19 HB | CN 100 AK | 96 | 18 |

Klemme STL 950/_V/
Terminal STL 950/_V



| Modell/model | X | n |
|--------------|------|----|
| CN 22 STL/V | 18.5 | 3 |
| CN 45 STL/V | 41 | 7 |
| CN 55 STL/V | 51 | 9 |
| CN 70 STL/V | 66 | 12 |
| CN 100 STL/V | 96 | 18 |

Klemme AK 700/_V/
Terminal AK 700/_V



| Modell/model | Y | n |
|--------------|------|----|
| CN 22 AK/V | 19.9 | 3 |
| CN 45 AK/V | 42.4 | 7 |
| CN 55 AK/V | 52.4 | 9 |
| CN 70 AK/V | 67.4 | 12 |
| CN 100 AK/V | 97.4 | 18 |

Platinen auch auf Einzelzeichnung nach Zchn.: 3K 5180.200.0 dargestellt.
PCBs also shown on individual drawing acc. to drawing no.: 3K 5180.200.0

| | | |
|--------------------------------------|---------------------------------|--|
| Maßstab/ Scale: | 1:1 | |
| Zeichnungs-Nr. / Drawing-No.: | 2K 5180.042.04 | |
| Artikel / Article: | Platinenübersicht / PCB diagram | |
| für / for | CombiNorm Classic | |
| Katalogzeichnung / Catalogue drawing | | |
| A Nr. / Alt-No.: | Datum / Date: | |
| DISK: | 2 601 167 | |
| Datum / Date: | 16.03.94 HR | |