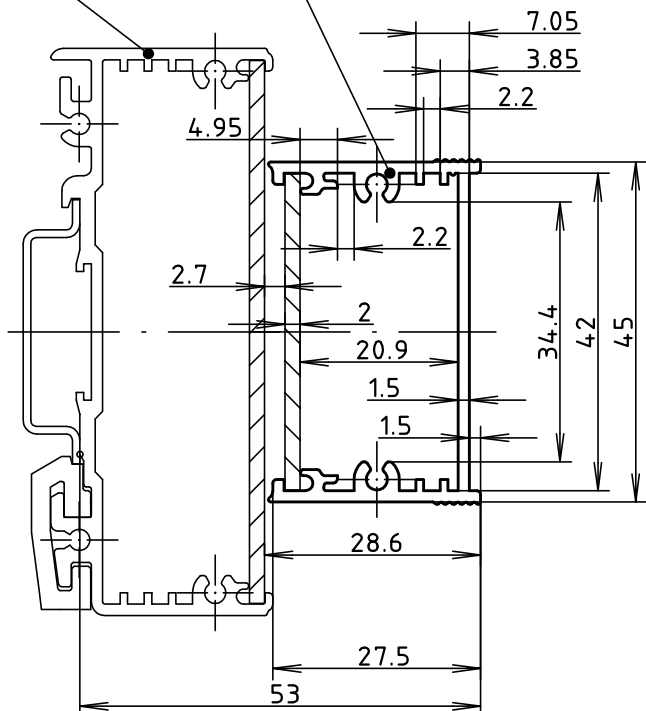


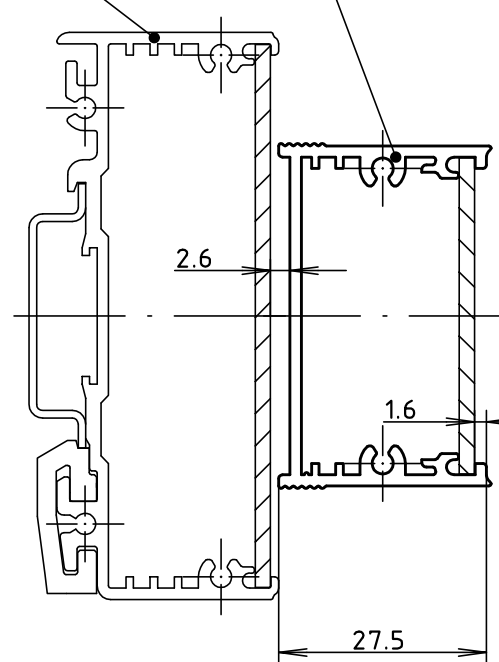
Abmessungen entsprechen der DIN 43880 - Installationseinbaugeräte/  
 dimensions correspond to the DIN 43880 for installation equipment

( Grundprofil ARP 75/31-... /  
 basic profile ARP 75/31-... )  
 Modulprofil ARPM 45/27-.../  
 module profile ARPM 45/27-...



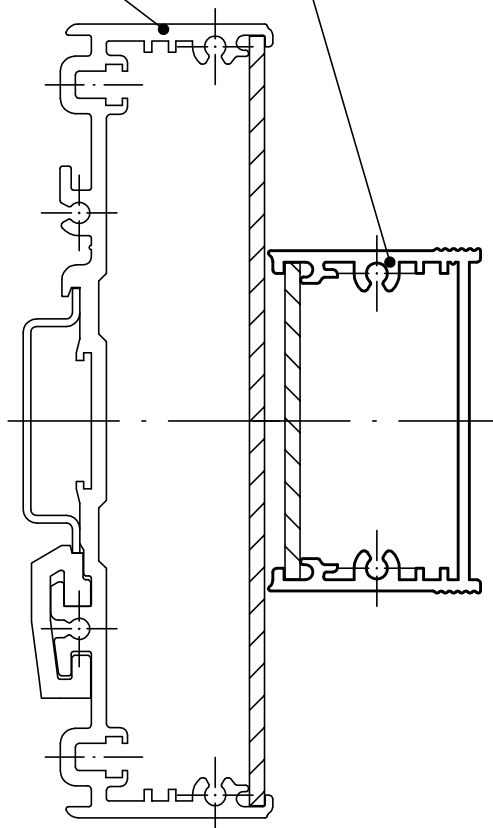
Modulprofil-Position veränderbar  
 um Rastermaß 15mm/  
 module profile position adjustable  
 by pitch dimension of 15mm

( Grundprofil ARP 75/31-... /  
 basic profile ARP 75/31-... )  
 Modulprofil ARPM 45/27-...  
 (180° gedreht)/  
 module profile ARPM 45/27-...  
 (rotated 180°)



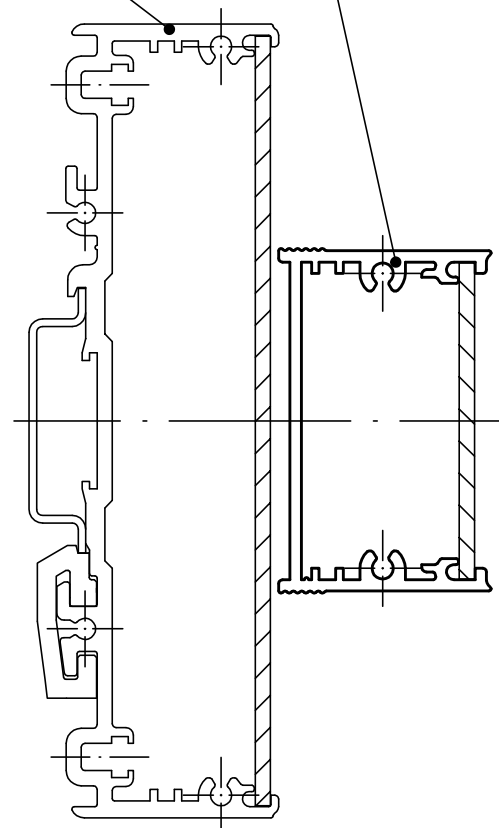
Modulprofil-Position veränderbar  
 um Rastermaß 15mm/  
 module profile position adjustable  
 by pitch dimension of 15mm

( Grundprofil ARP 105/31-... /  
 basic profile ARP 105/31-... )  
 Modulprofil ARPM 45/27-.../  
 module profile ARPM 45/27-...



Modulprofil-Position veränderbar  
 um Rastermaß 15mm/  
 module profile position adjustable  
 by pitch dimension of 15mm

( Grundprofil ARP 105/31-... /  
 basic profile ARP 105/31-... )  
 Modulprofil ARPM 45/27-...  
 (180° gedreht)/  
 module profile ARPM 45/27-...  
 (rotated 180°)



Modulprofil-Position veränderbar  
 um Rastermaß 15mm/  
 module profile position adjustable  
 by pitch dimension of 15mm

Modell / model	LM=Modulprofillänge / LM=module profile length
ARPM 45/27-35	25.0
ARPM 45/27-52.5	42.5
ARPM 45/27-70	60.0
ARPM 45/27-105	95.0
ARPM 45/27-140	130.0
ARPM 45/27-175	165.0
ARPM 45/27-210	200.0
ARPM 45/27-245	235.0
ARPM 45/27-1000	990.0

"Schutzvermerk nach DIN ISO 16016 beachten" "Please pay attention to copyright note DIN ISO 16016"

Maßstab/ Scale:	1:1	
Zeichnungs-Nr. / Drawing-No.:		
3K 5255.186.01		
Artikel / Article:		
ARPM 45/27-...		
Katalogzeichnung/ Catalogue drawing		
A.Nr/ Alt-No.:	Datum/ Date:	
DISK:		2 602 102
Datum/Date:		24.01.01 KH

**BOPLA**  
 A Phoenix Mecano Company