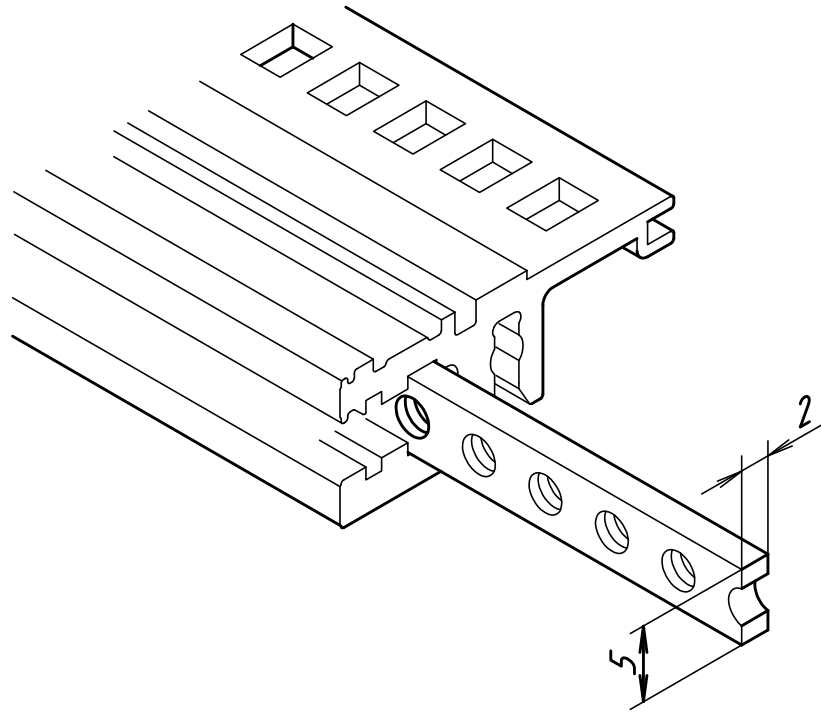


"Schutzvermerk nach DIN ISO 16016 beachten" "Please pay attention to copyright note DIN ISO 16016"



Maßstab/ Scale: - 

Zeichnungs-Nr. / Drawing-No.:
4K 5315.011.01

Artikel / Article:
Interzoll Modul
GS/M 000 . .
Katalogzeichnung/ Catalogue drawing

| | |
|---|---|
| - | - |
| - | - |
| - | - |
| - | - |
| - | - |
| - | - |
| - | - |
| - | - |
| - | - |
| - | - |
| - | - |

| | |
|--------------------|------------------|
| Ä.Nr / Alt-No.: | Datum / Date: |
|--------------------|------------------|



DISK: 2 901 821
Datum/Date: 18.06.99 HR